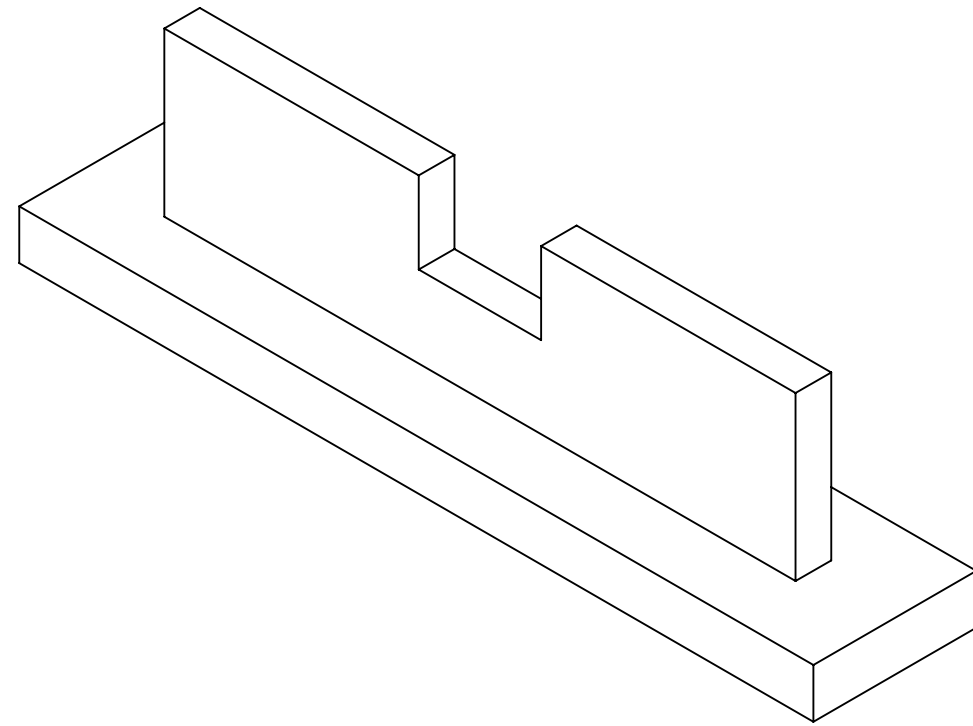
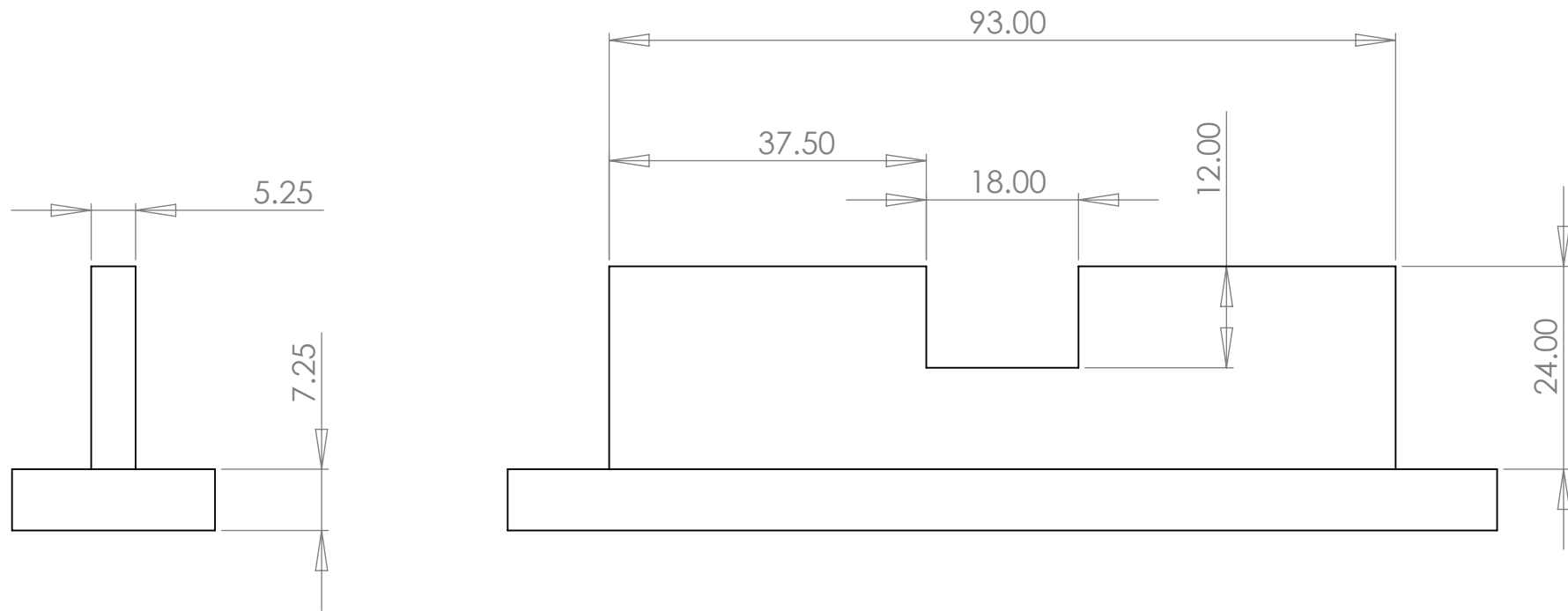


8 7 6 5 4 3 2 1

D

D

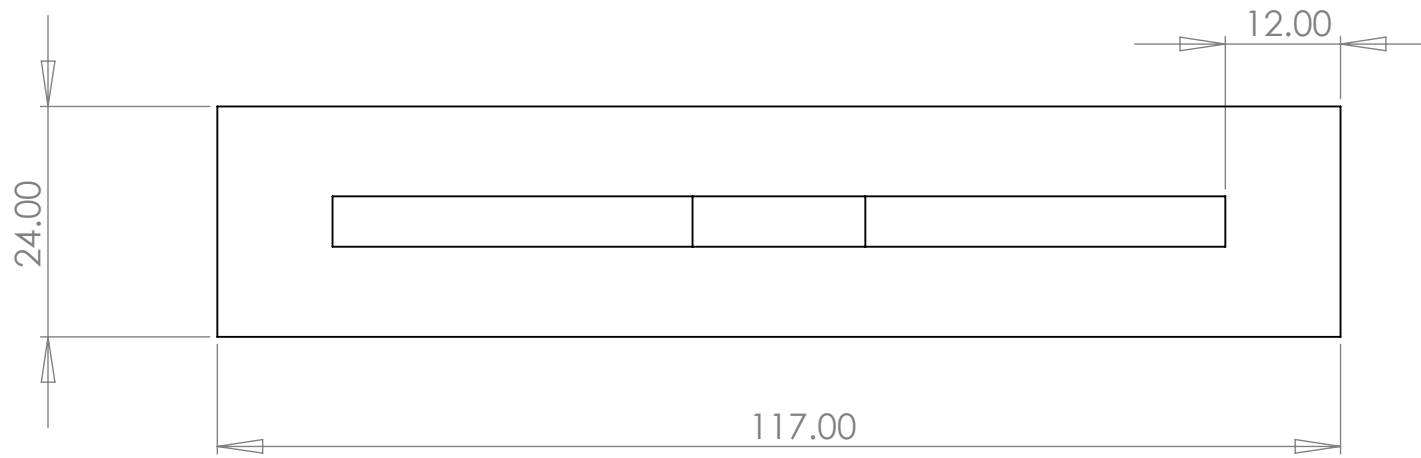


C

C

B

B



A

A

**PROPRIETARY AND CONFIDENTIAL**  
 THE INFORMATION CONTAINED IN THIS DRAWING IS THE SOLE PROPERTY OF Hartvigsen-Hydro. ANY REPRODUCTION IN PART OR AS A WHOLE WITHOUT THE WRITTEN PERMISSION OF Hartvigsen-Hydro IS PROHIBITED.

		UNLESS OTHERWISE SPECIFIED:				Hartvigsen-Hydro	
		DIMENSIONS ARE IN INCHES		DRAWN	NAME	DATE	TITLE:
		TOLERANCES:		jjh		16JUN 10	
		FRACTIONAL ±		CHECKED			
		ANGULAR: MACH ± BEND ±		ENG APPR.			
		TWO PLACE DECIMAL ±		MFG APPR.			SIZE DWG. NO. REV
		THREE PLACE DECIMAL ±		Q.A.			
		INTERPRET GEOMETRIC TOLERANCING PER:		COMMENTS:			SCALE: 1:20 WEIGHT: 2815 lb SHEET 1 OF 1
		MATERIAL:					
		Reinforced concrete					
		FINISH					
NEXT ASSY	USED ON	APPLICATION		DO NOT SCALE DRAWING			

8 7 6 5 4 3 2 1