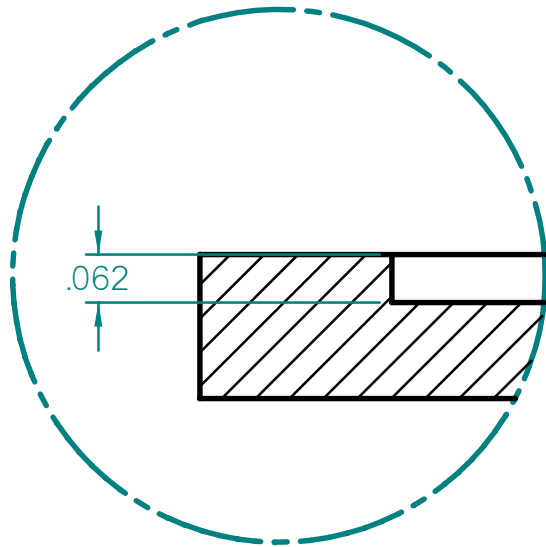
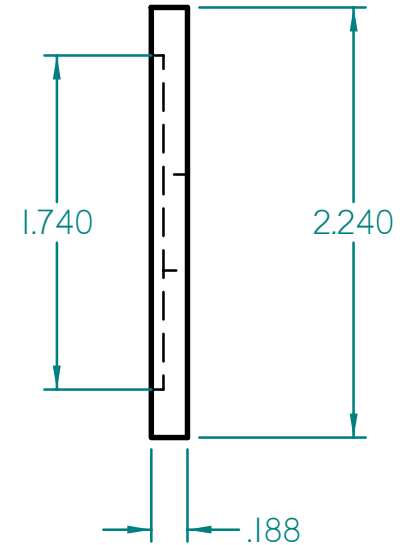
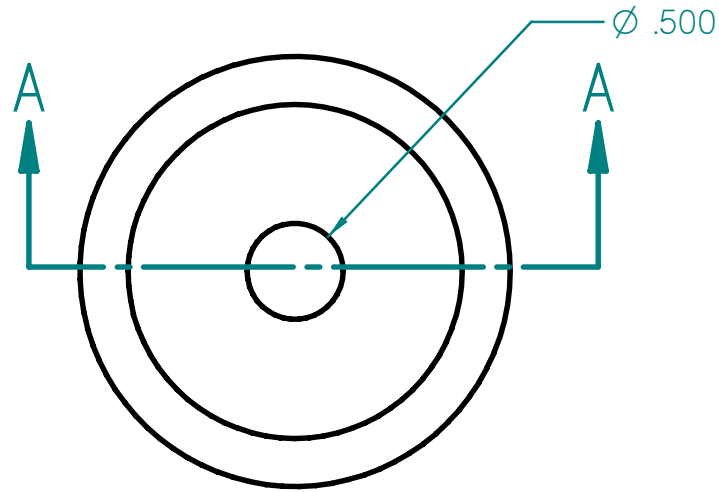
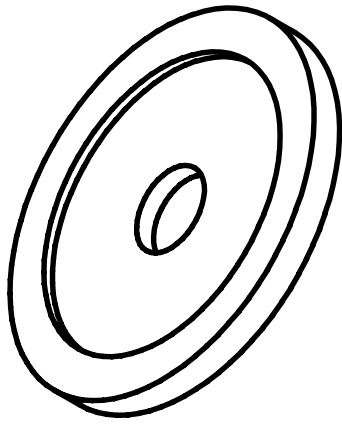


UNLESS OTHERWISE SPECIFIED DIMENSIONS ARE IN INCHES		Hartvigsen-Hydro	
Support washers 2.0" dia turgo_gen@yahoo.com		20 Blue Spoon Runner	
MATERIAL: Delrin	SIZE A	Rev:0	01 May 2001
DO NOT SCALE DRAWING	CAD FILE: blue20.dft		SHEET 1 OF 2



DETAIL B
4:1



SECTION A-A
1:1

UNLESS OTHERWISE SPECIFIED
DIMENSIONS ARE IN INCHES

Support washers 2.0" dia
turgo_gen@yahoo.com

MATERIAL: Delrin

DO NOT SCALE DRAWING

Hartvigsen-Hydro

20 Blue Spoon Runner

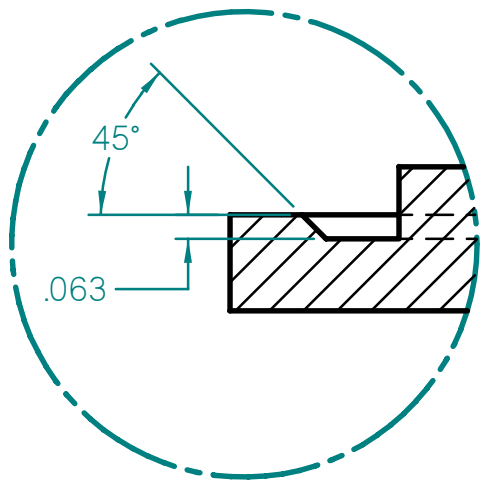
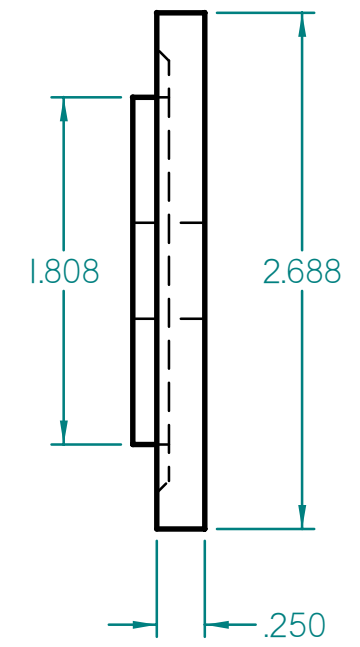
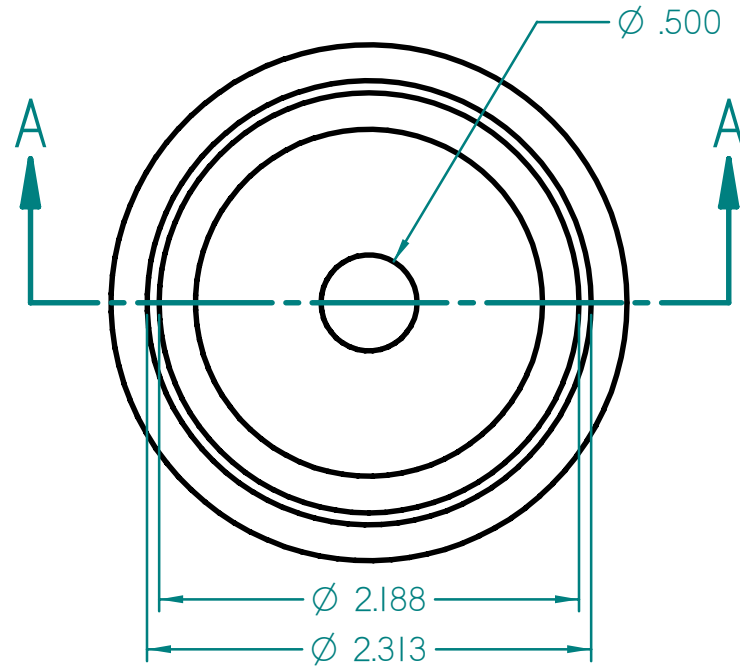
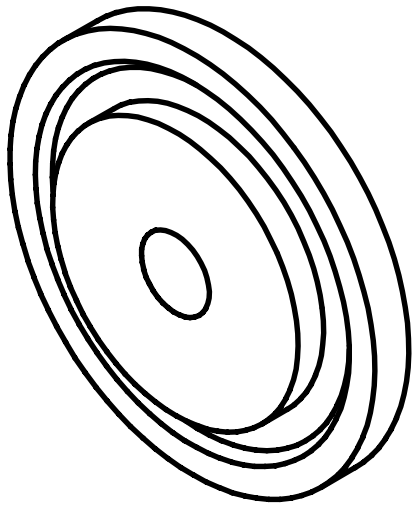
SIZE
A

Rev:0

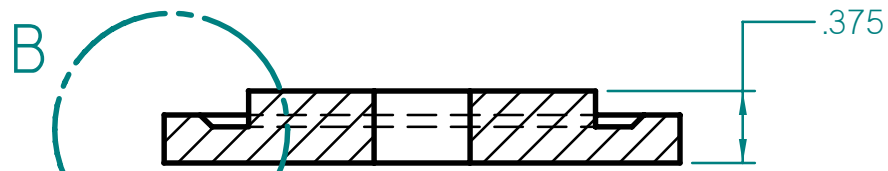
01 May 2001

CAD FILE: blue20w.dft

SHEET 2 OF 2

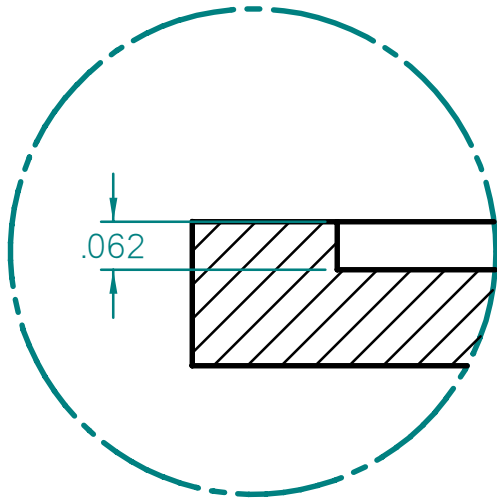
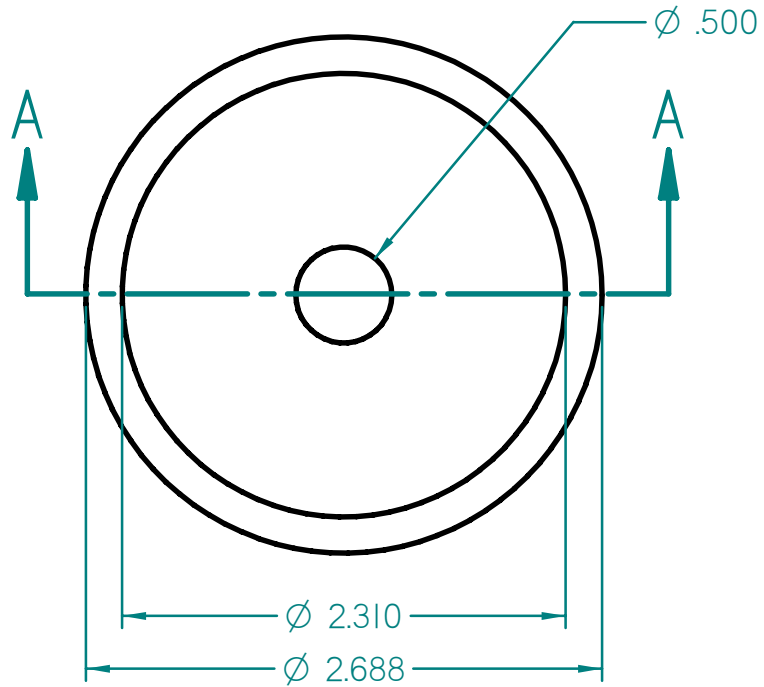
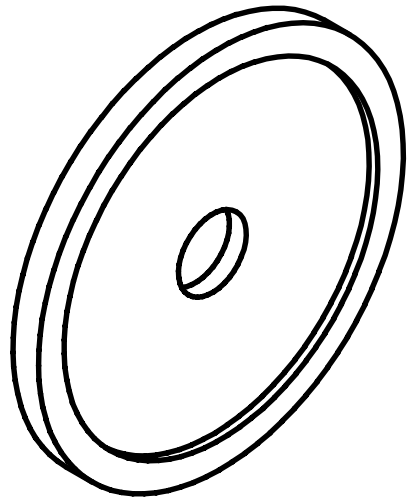


DETAIL B
2:1

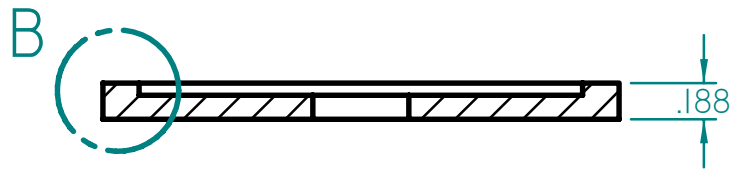


SECTION A-A
1:1

UNLESS OTHERWISE SPECIFIED DIMENSIONS ARE IN INCHES		Hartvigsen-Hydro		
Support washers 2.5" dia turgo_gen@yahoo.com		24 Blue Spoon Runner		
MATERIAL: Delrin	SIZE A	Rev: Draft	16 April 2002	
DO NOT SCALE DRAWING	UNTESTED PART	CAD FILE: blue24hub.dft	SHEET 1 OF 2	

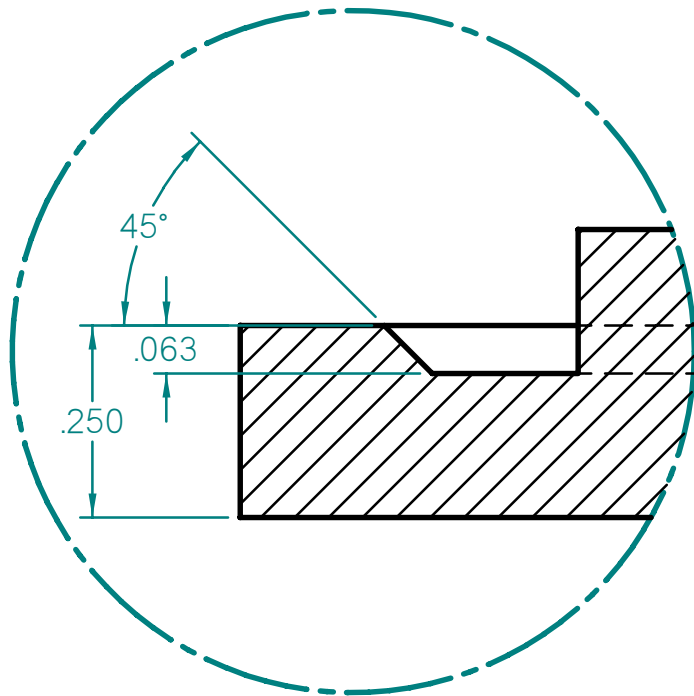
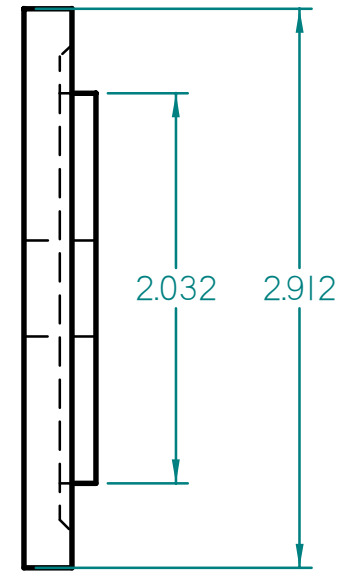
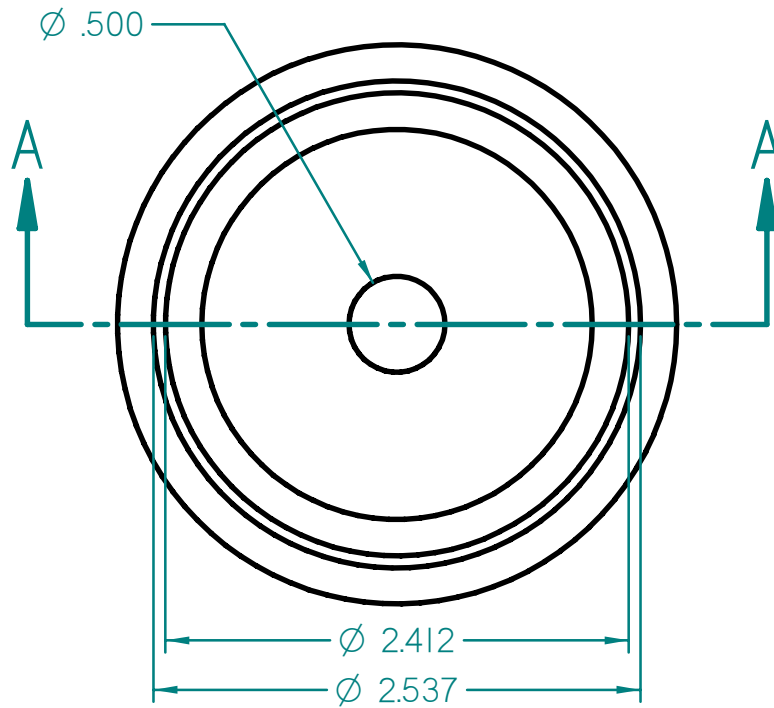
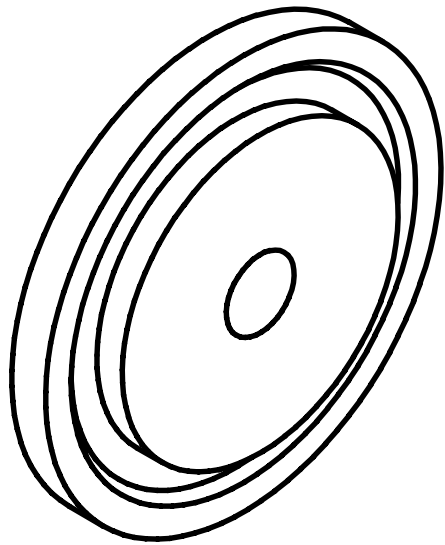


DETAIL B
4:1

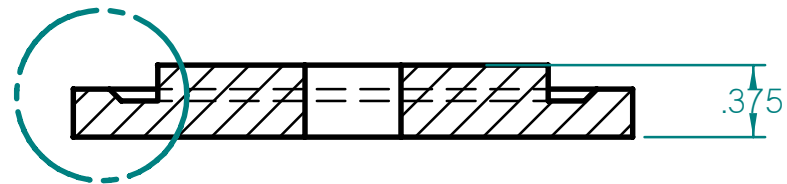


SECTION A-A
1:1

UNLESS OTHERWISE SPECIFIED DIMENSIONS ARE IN INCHES Support washers 2.5" dia turgo_gen@yahoo.com	Hartvigsen-Hydro		
	24 Blue Spoon Runner		
MATERIAL: Delrin	SIZE A	Rev: Draft	16 April 2002
DO NOT SCALE DRAWING	UNTESTED PART	CAD FILE: blue24w.dft	SHEET 2 OF 2

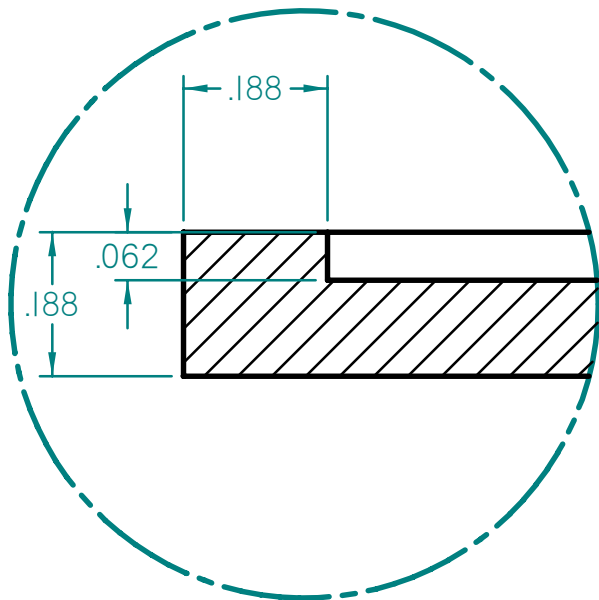
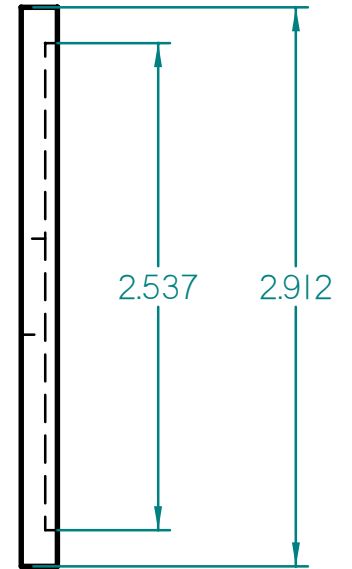
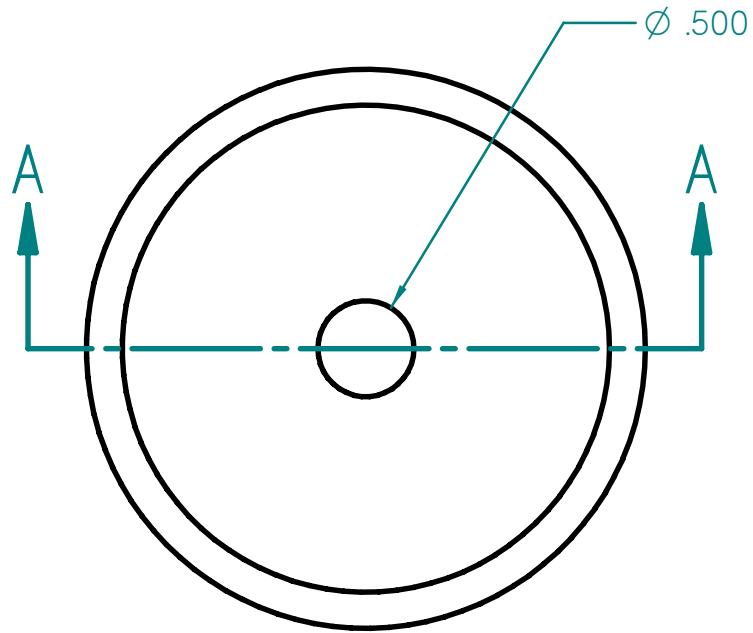
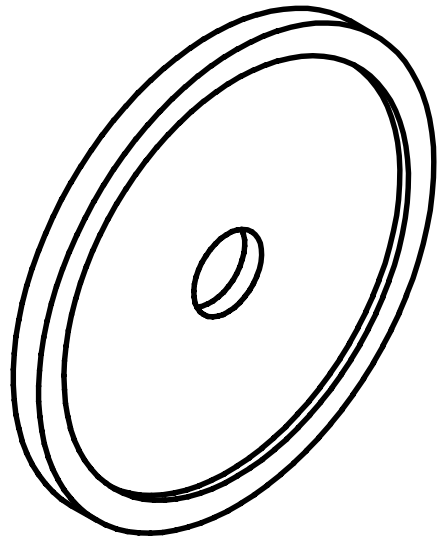


DETAIL B
4:1

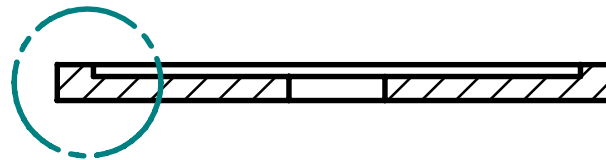


B SECTION A-A
1:1

UNLESS OTHERWISE SPECIFIED DIMENSIONS ARE IN INCHES		Hartvigsen-Hydro		
Support washers 2.75 dia turgo_gen@yahoo.com		26 Blue Spoon Runner		
MATERIAL: Delrin	SIZE A	Rev: Draft	16 April 2002	
DO NOT SCALE DRAWING	UNTESTED PART	CAD FILE: blue26hub.dft	SHEET 1 OF 2	



DETAIL B
4:1



B SECTION A-A
1:1

UNLESS OTHERWISE SPECIFIED DIMENSIONS ARE IN INCHES Support washers 2.75 dia turgo_gen@yahoo.com	Hartvigsen-Hydro		
	26 Blue Spoon Runner		
MATERIAL: Delrin	SIZE A	Rev: Draft	16 April 2002
DO NOT SCALE DRAWING	UNTESTED PART	CAD FILE: blue26w.dft	SHEET 2 OF 2